



Electric Bolt

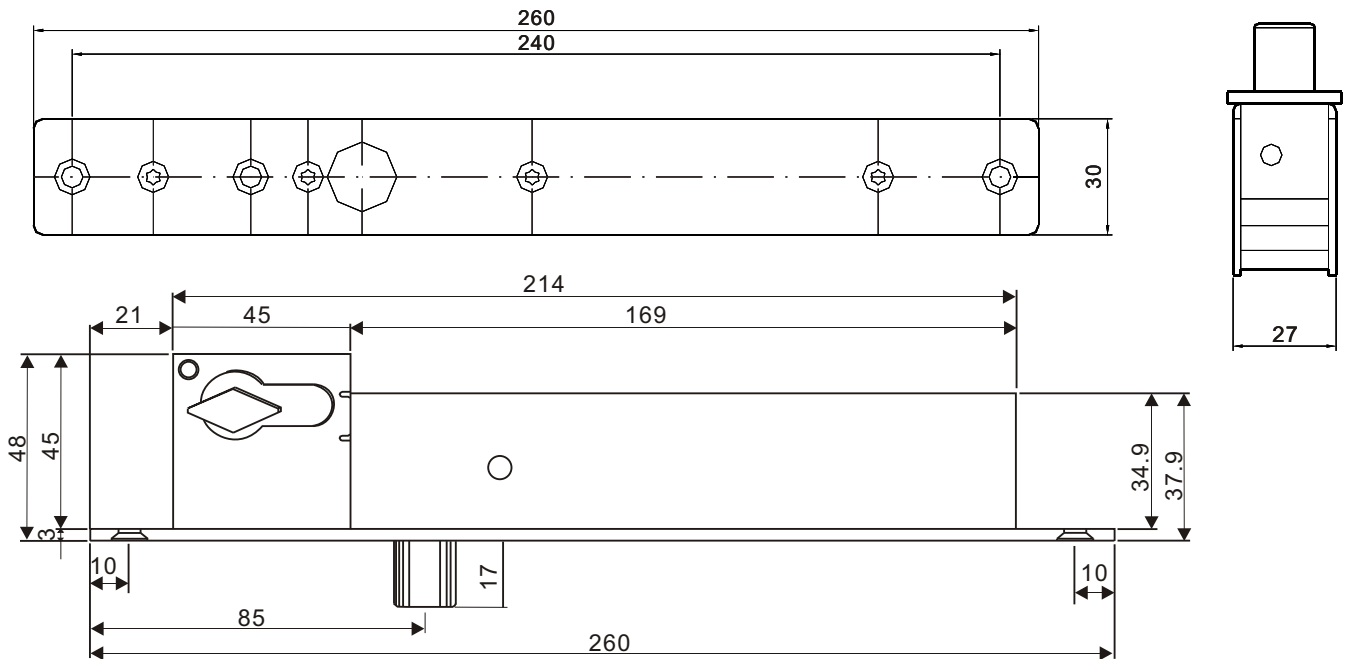
# Fail Secure Electric Bolt

## Mode: YB-600

### Parameters

Face Plate	260Lx30Wx48H(mm)
Strike	100Lx25Wx3H(mm)
Decorative Panel	270Lx35Wx0.5H(mm)
Bolt	16mmDIA
Signal Output	NO/NC/COM
Time Delay	0/3/6/9 sec
Voltage	12VDC
Current	Start 950mA, Standby 150mA
Fail Secure	Unlocked when energized
Suitable for	Woodeng door, metal door
Weight	1.6 kg

### Dimensions



Model	Red	Brown	Green	Blue	White	Orange
YB-600	+	-	NC	NO	COM	OPEN

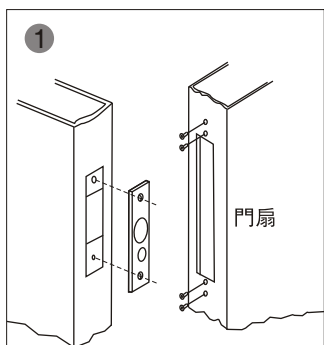
**AUTOLOCK TIME DELAY SETTING**



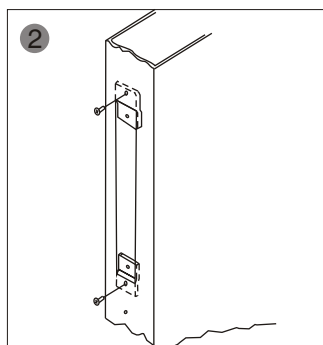


# Electric Bolt

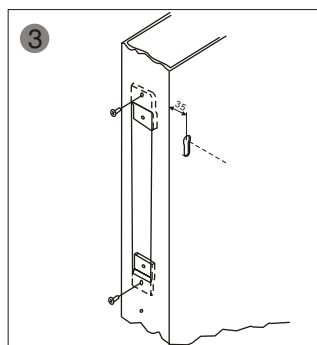
## Installation



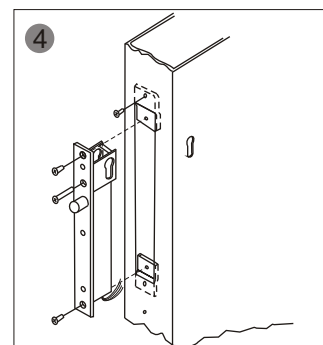
1 Mark the dimension of holes on the door leaf, cut the hole for the lock body and magnetic plate.



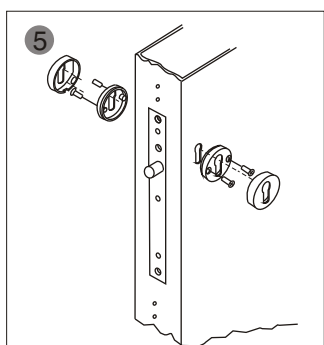
2 Install the fixing plug.



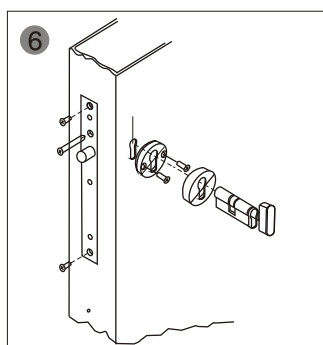
3 Cut the hole for the lock cylinder.



4 Connect the power.



5 Fix the lock body, install the lock cylinder and cover plate



6 Fix the lock cylinder by the screw.

## Wiring Diagram

