

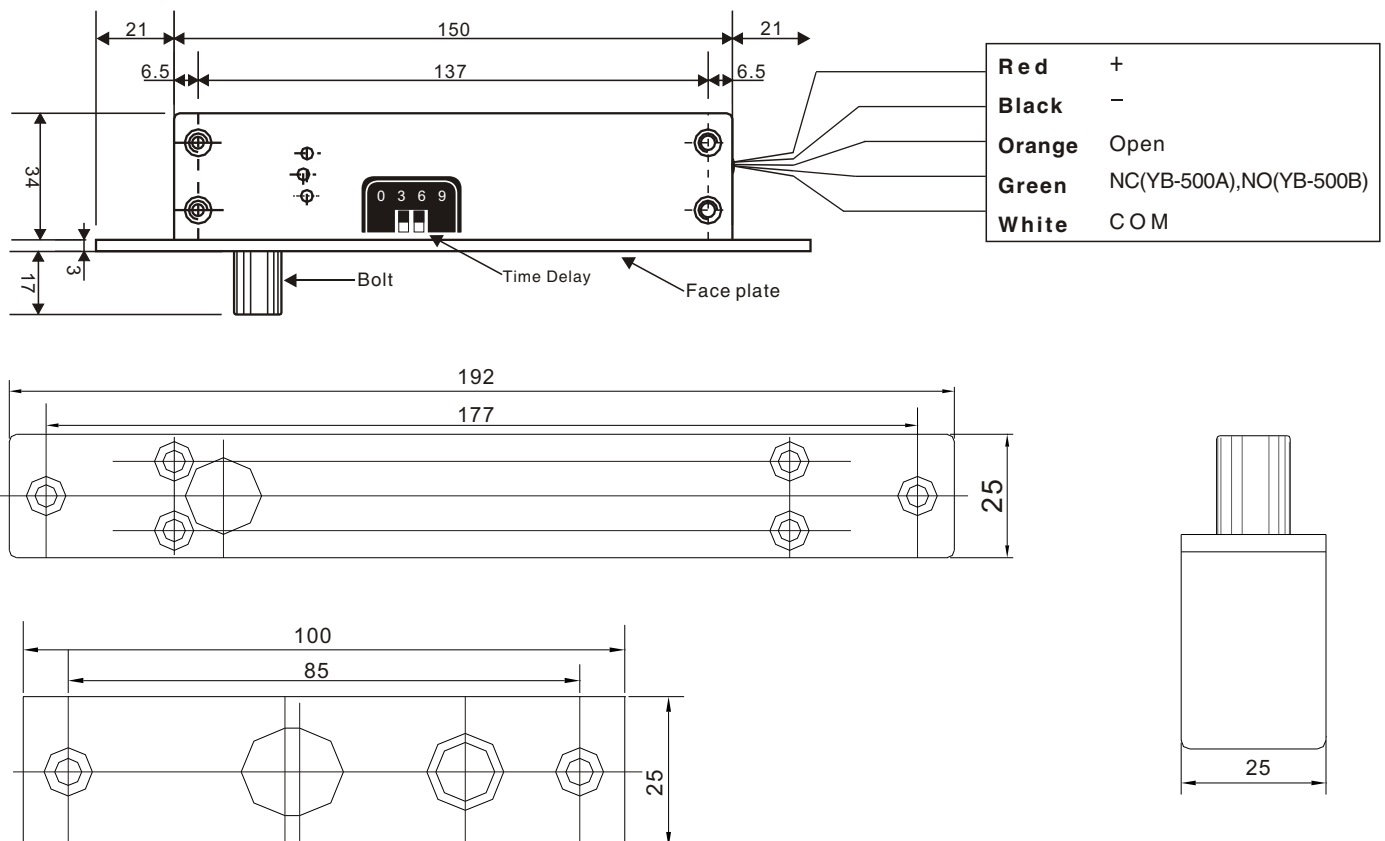


Fail Safe(Secure) Sturdiness Electric Bolt W/Narrow Panel Model:YB-500A/B

Parameters

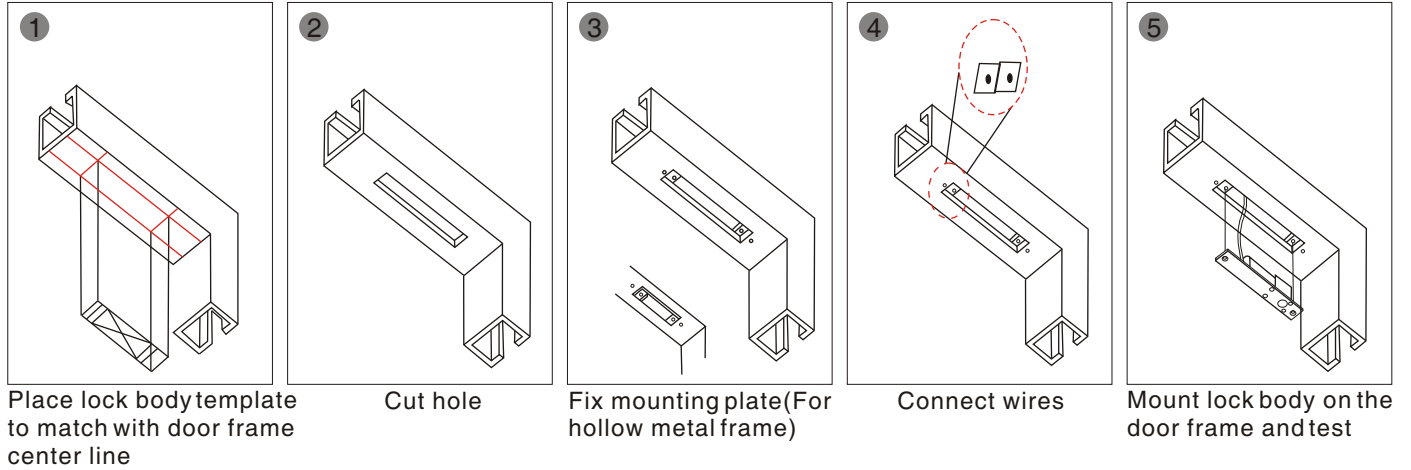
Face Plate	192Lx25Wx27H(mm)
Strike	100Lx25Wx3H(mm)
Decorative Panel	215Lx40Wx0.5H(mm)
Bolt	16mmDIA, stainless steel 16mm throw
Signal Output	NC/COM(YB-500A),NO/COM(YB-500B)
Time Delay	0/3/6/9 sec
Voltage	12VDC
Current	Start 960mA, Standby 130mA
Fail Safe	Fail Safe(YB-500A), Fail Secure(YB-500B)
Suitable for	Wooden door, metal door
Weight	0.74kg

Dimensions





Installation



Installation Schematic



Wiring Diagram

